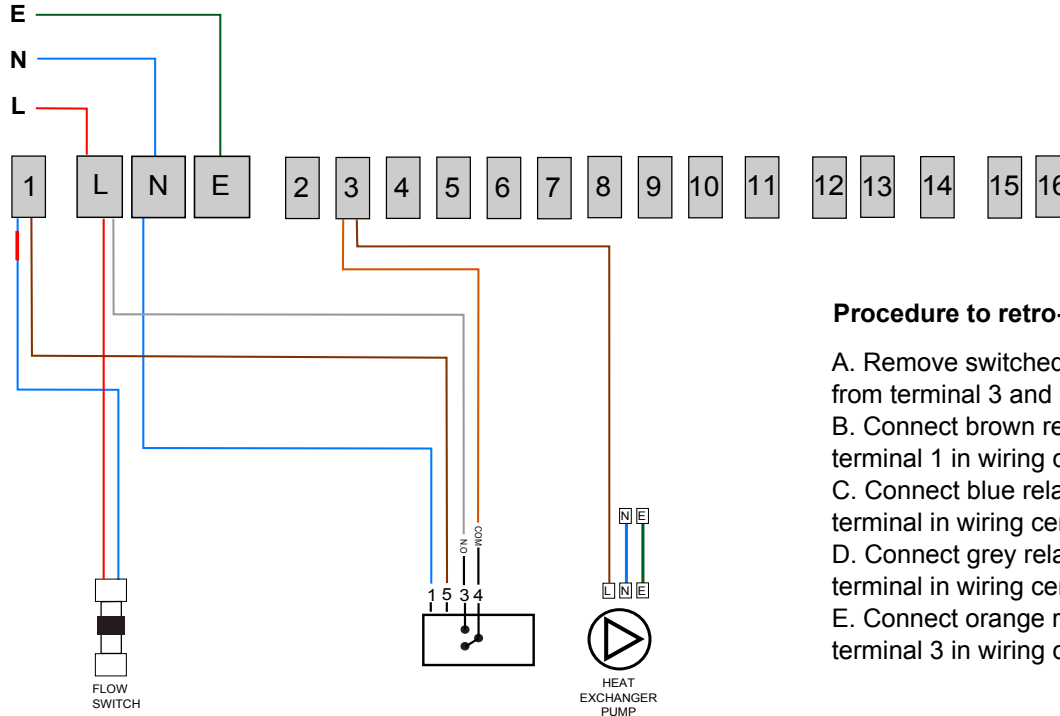


Xcel / SSCYL Mains DHW via Plate Heat Exchanger wiring with Relay

Mains

230vac 3A

Fused Switch
In Cupboard
2m cable provided
0.75mm²



Procedure to retro-fit relay to wiring centre

- Remove switched live of flow switch (blue/red tag) from terminal 3 and connect to terminal 1 of wiring centre.
- Connect brown relay wire (relay terminal 5) to terminal 1 in wiring centre.
- Connect blue relay wire (relay terminal 1) to Neutral terminal in wiring centre.
- Connect grey relay wire (relay terminal 3) to Live terminal in wiring centre.
- Connect orange relay wire (relay terminal 4) to terminal 3 in wiring centre.